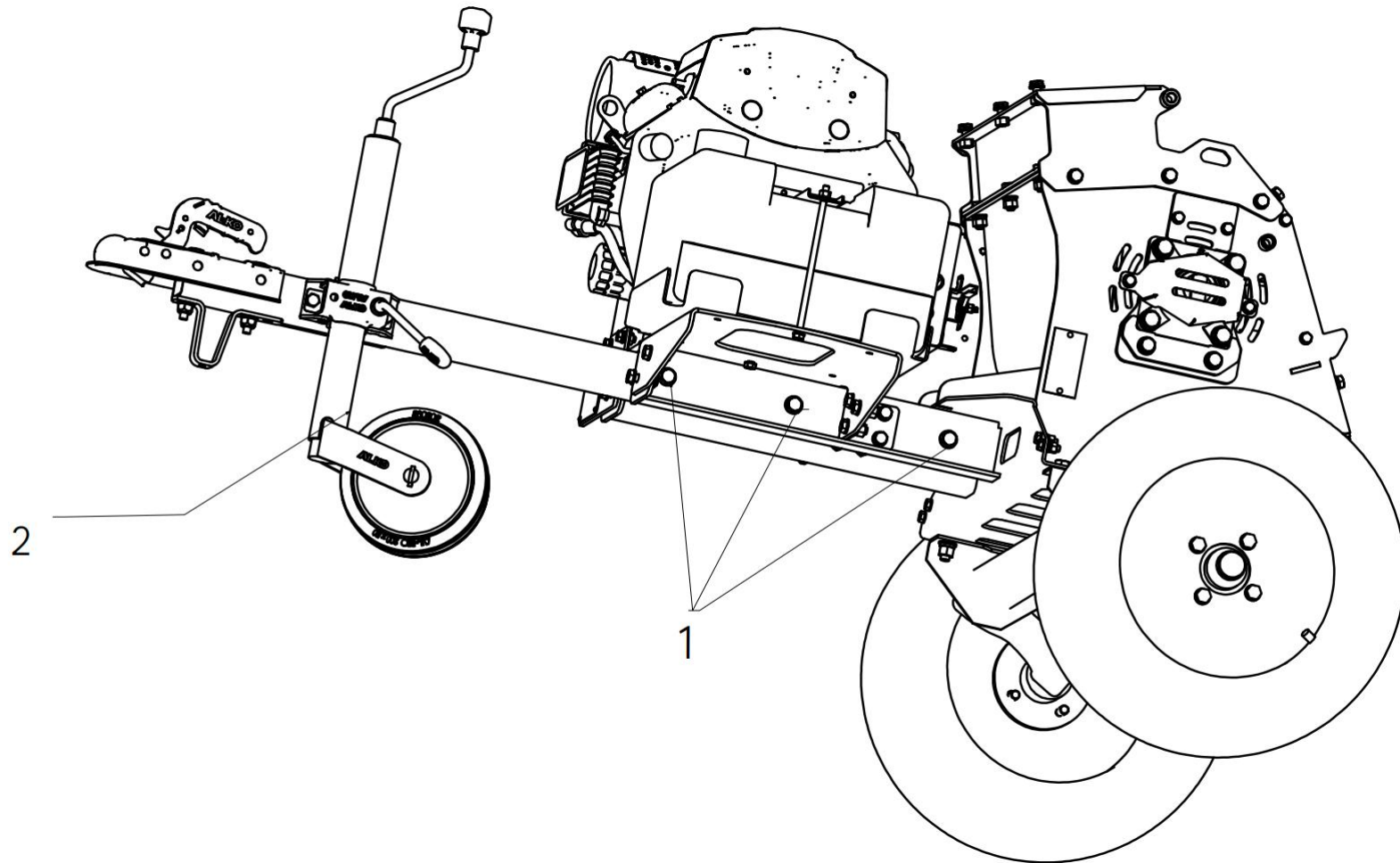
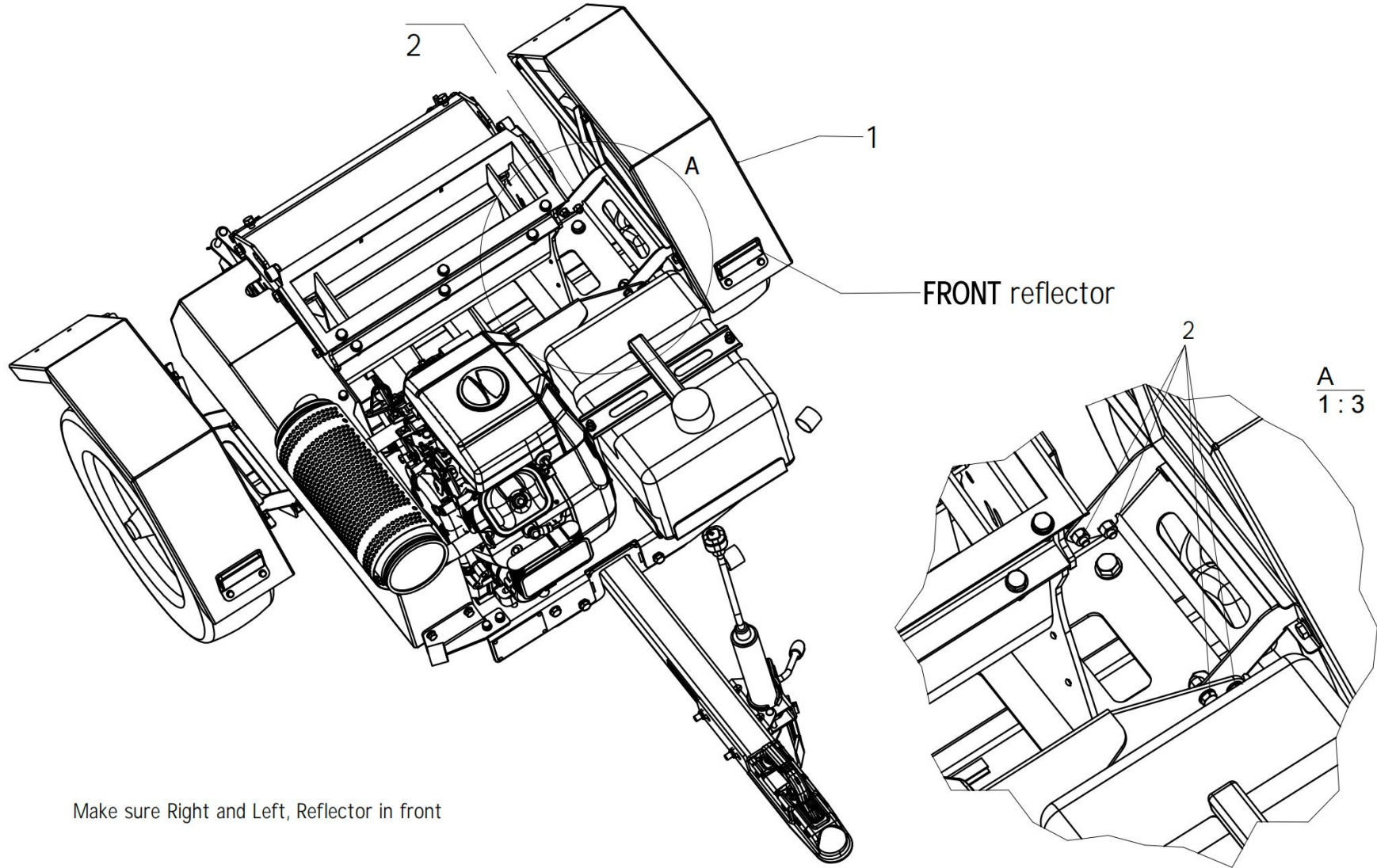


Axle and Wheel assembly



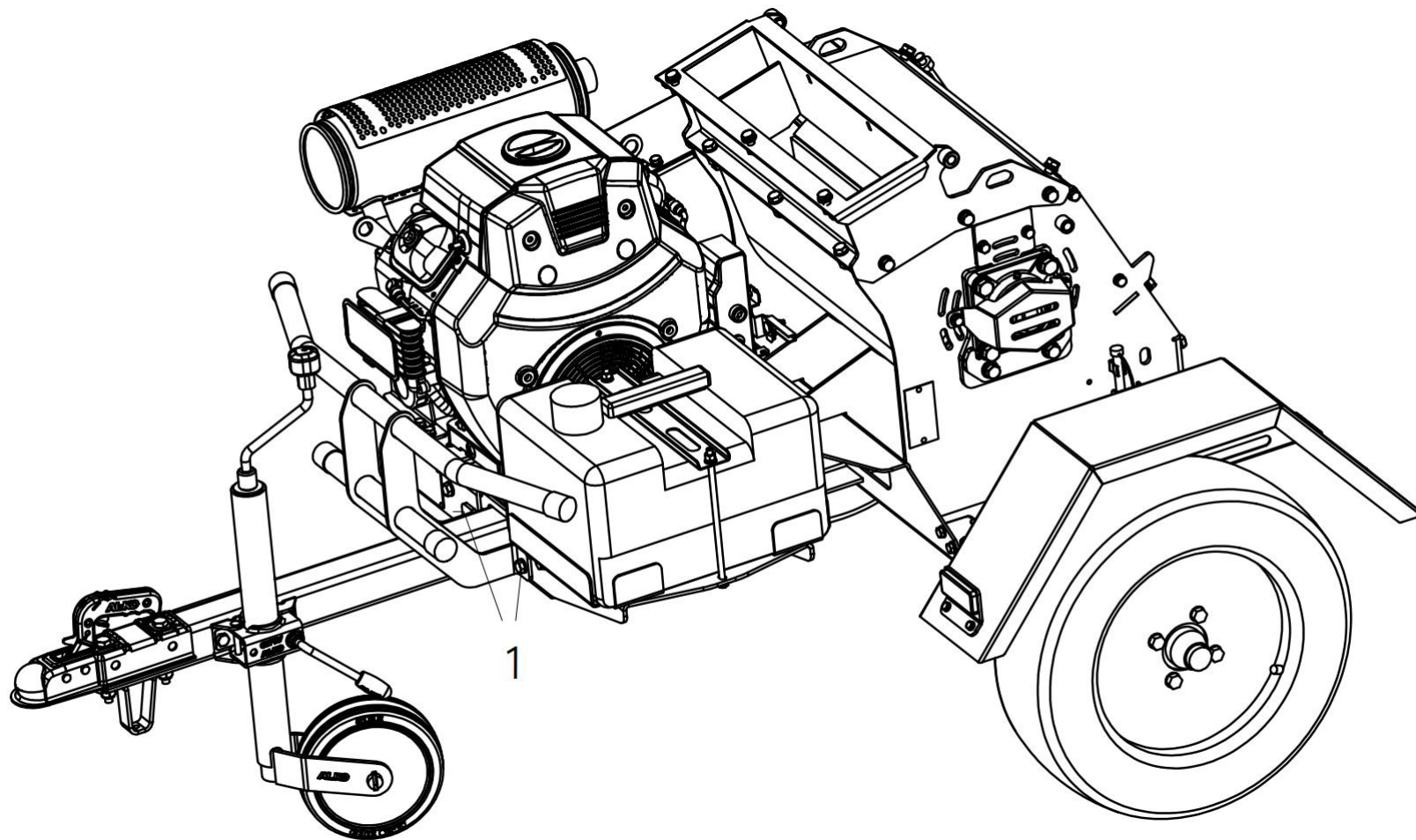
Tow Bar and Jockey wheel assembly



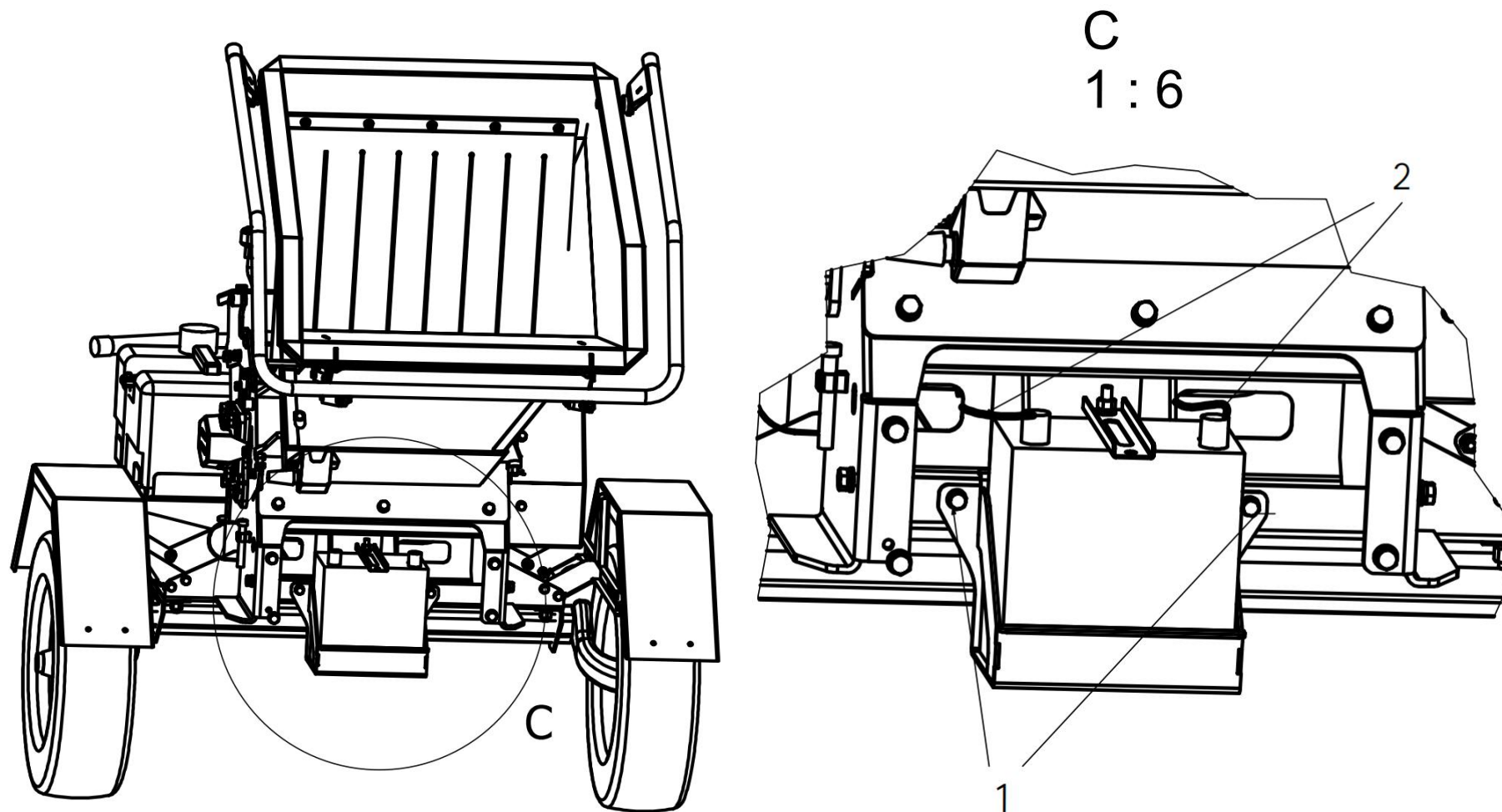
FRONT reflector

Make sure Right and Left, Reflector in front

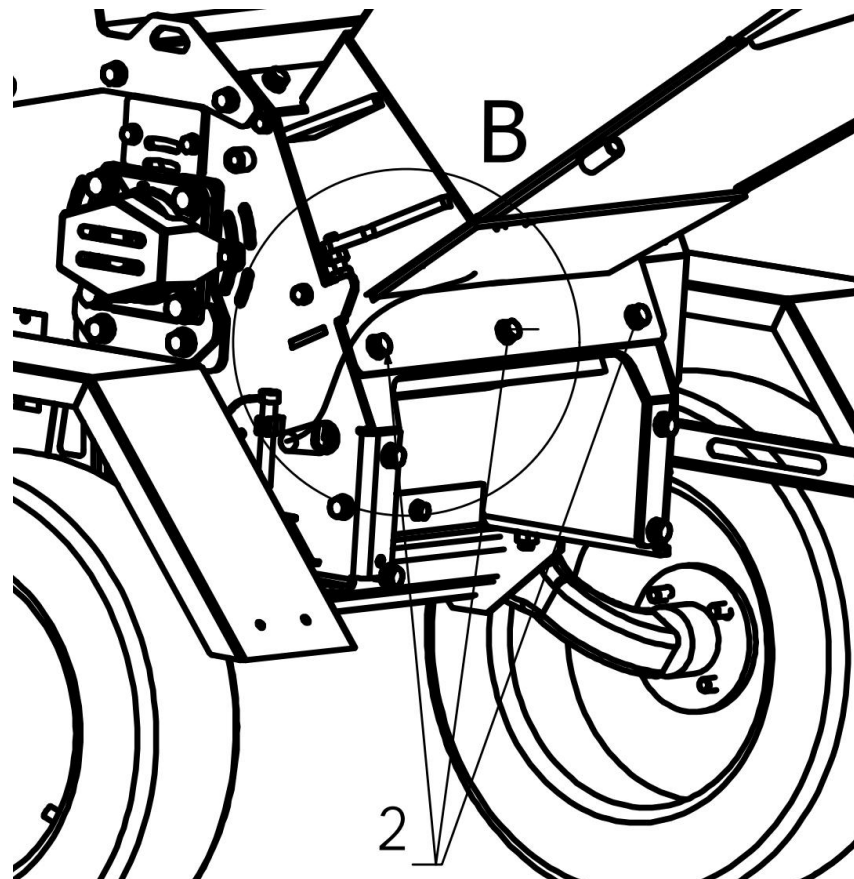
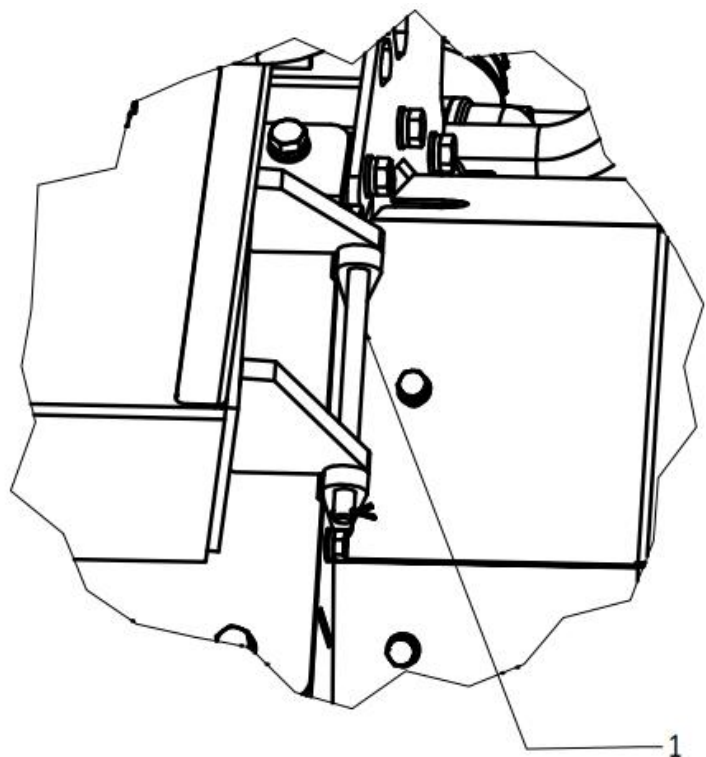
Mudguard assembly



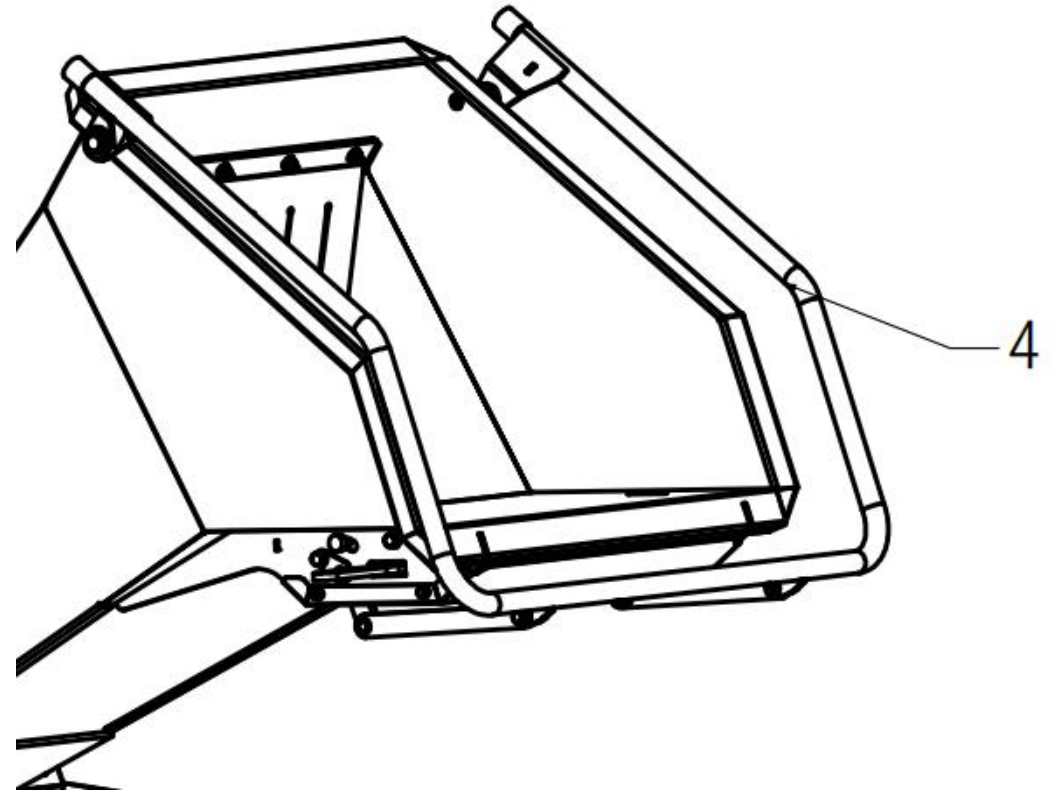
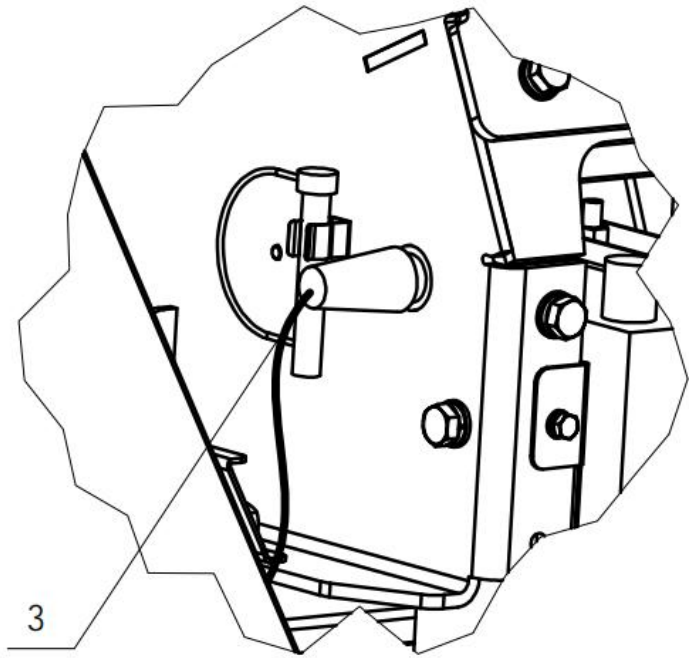
Bumper assembly



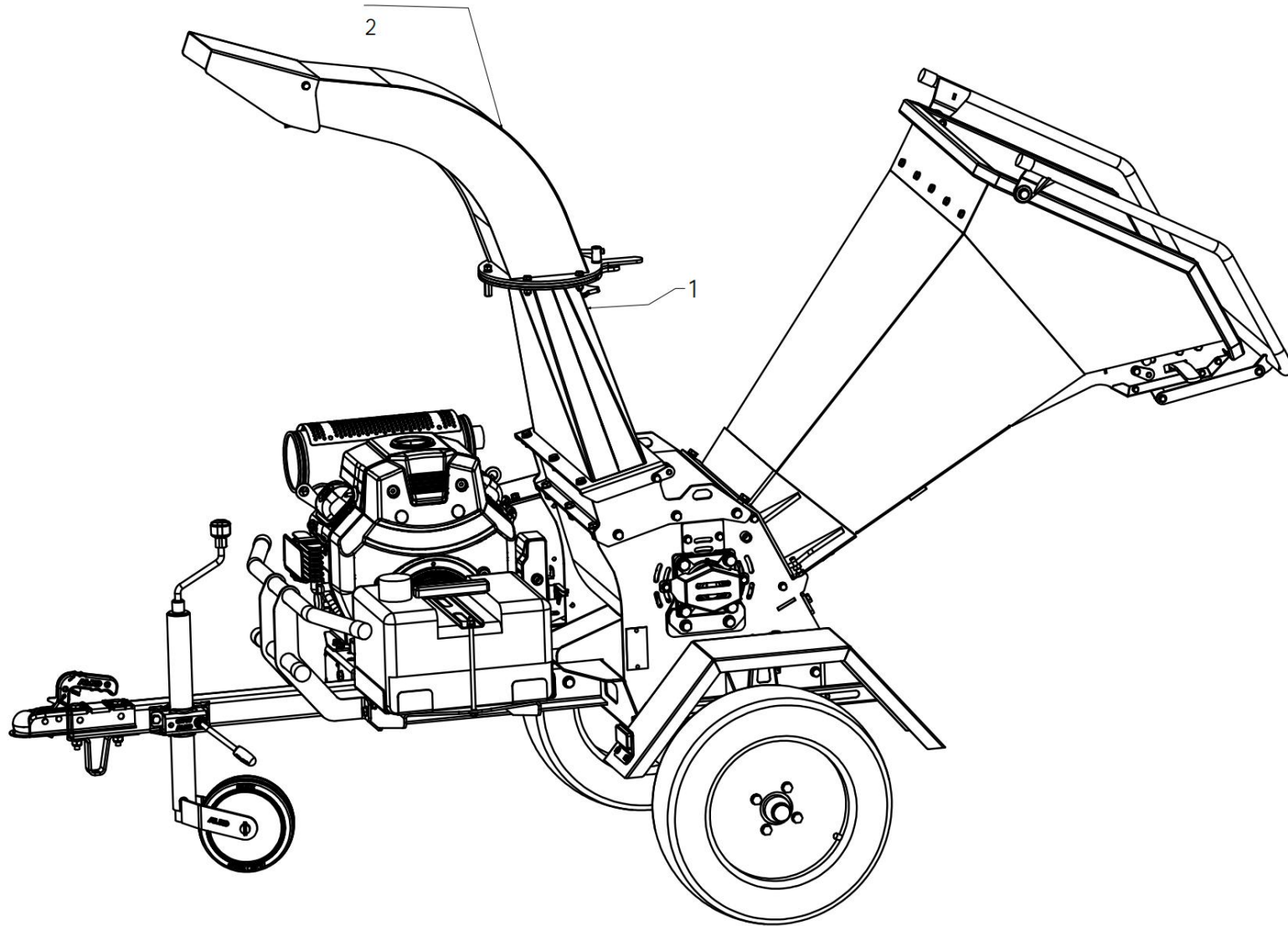
- 1. Battery holder assembly
- 2. Cable connection, red for positive pole/black for negative pole.



- 1. Hinge axis assembly
- 2. Bolts fixed

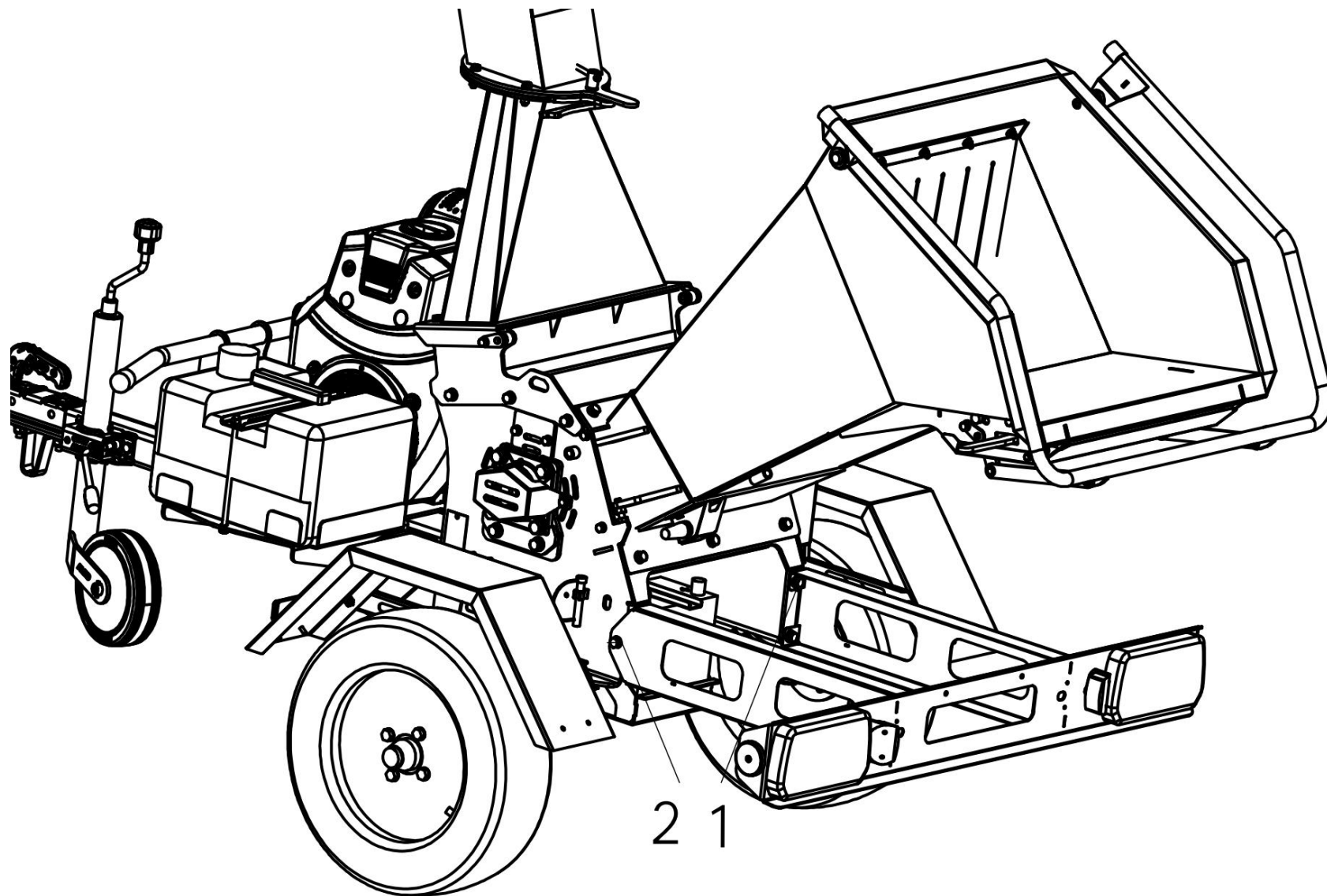


- 3. Emergency switch socket plugged
- 4. Stop bar assembly



Output assembly





Rear lamp assembly, Note cable connection - yellow for left and green for right